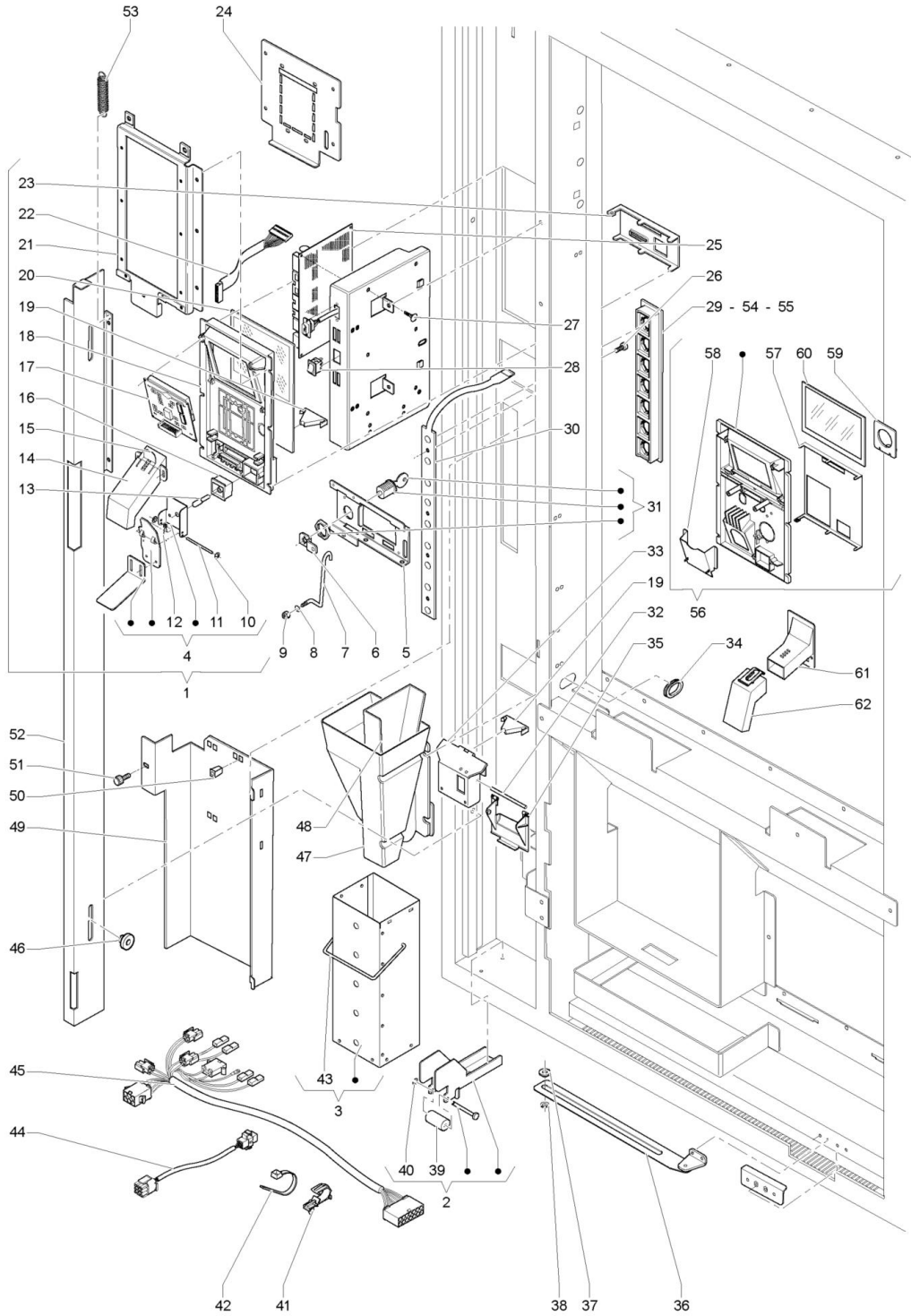


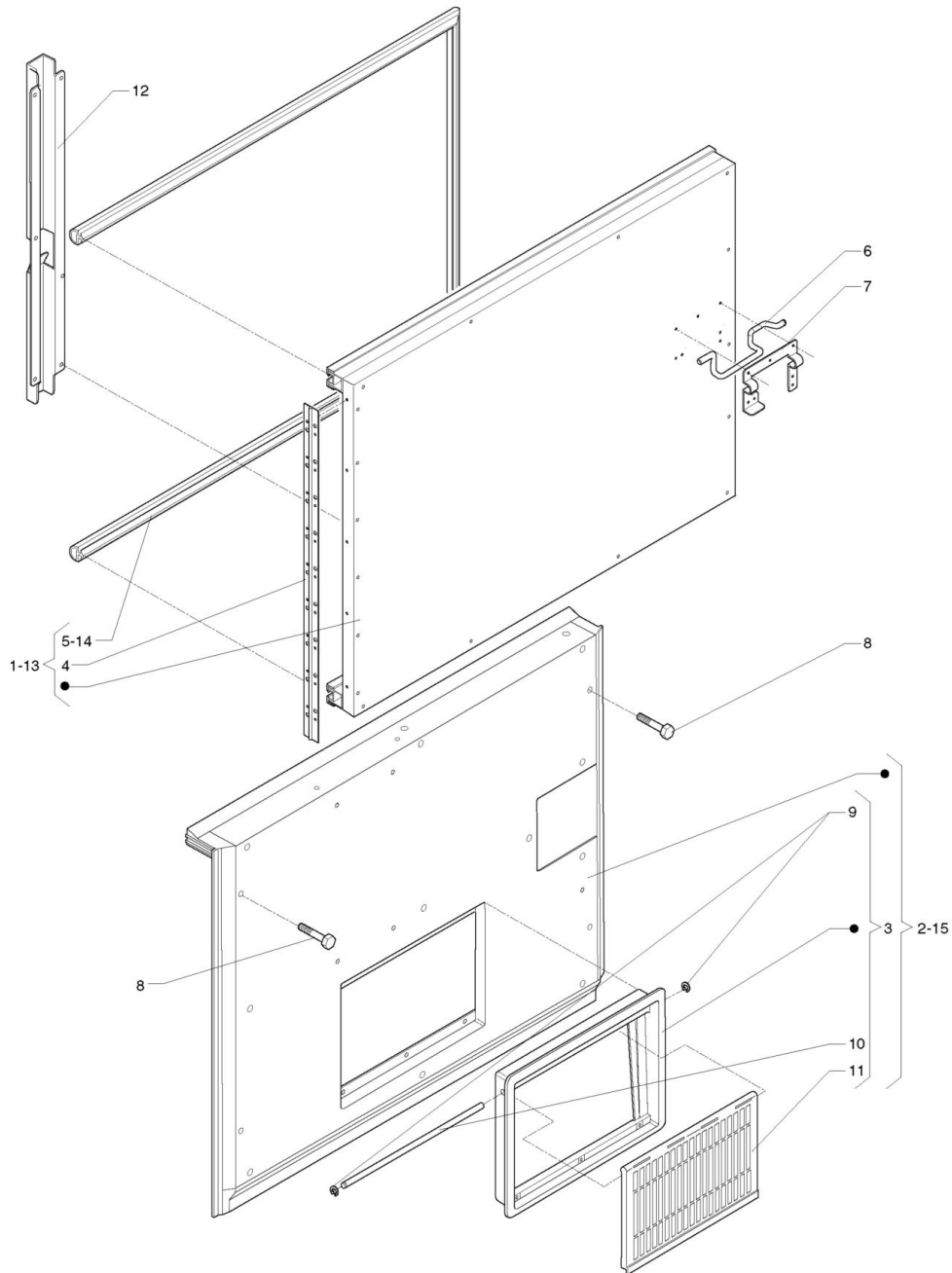
Pos.	Item	Repl. by	Description	Notes	Price (EUR)
0001	253936		DOOR ASSEMBLED 700		365.55
0002	253884		UPPER DOOR HEAD 700	until serial number 91301452	
0002	254714		DOOR UPPER HEAD 700	from serial number 91301453	19.18
0003	253880		UPPER INTERFACE PANEL	until serial number 91301452	12.36
0003	254713		UPPER INTERFACE PANEL	from serial number 91301453	12.36
0004	253887		DOOR RIGHT PROFILE	until serial number 91301452	34.62
0004	254717		DOOR RIGHT PROFILE	from serial number 91301453	35.16
0005	253914		UPPER LABEL		22.38
0006	254028		DISPLAY ELEMENT PANEL		16.62
0007	253882		COIN SLOT MOLDING		10.87
0008	253913		LOWER LABEL 7 SEL.		54.34
0009	253899		HANDLE		6.72
0010	254281	259141	PHOTOGRAPHIC PANEL 700 - COLLAGE-		
0011	253886		CENTRAL DOOR PROFILE	until serial number 91301452	31.43
0011	254716		CENTRAL DOOR PROFILE	from serial number 91301453	36.75
0012	253879		LOWER INTERFACE PANEL		18.86
0013	253905		PUSH-BUTTON PANEL 7 SELECTIONS		12.39
0014	253907		DISPENSING COMPARTMENT		38.03
0015	253930		DISPENSING COMPARTMENT DOOR + PIN		31.43
0016	253904		CONVEX PROFILE 700		52.21
0017	987628		EJOT-PT-SCREW 3X8		0.20
0018	0V1915		TRAY		18.54
0019	253885		LOWER DOOR HEAD 700		32.49
0020	253888		LEFT DOOR PROFILE	until serial number 91301452	35.16
0020	254718		LEFT DOOR PROFILE	from serial number 91301453	37.29
0021	253927		DOOR HINGE		30.37
0022	253900		ANTI-BREAKING PROTECTION		18.54
0023	254249		DIRECT SELECTION PUSH BUTTON		3.04
0024	254035		DOOR MONEY PLATE		6.92
0025	259141	261957	PHOTO PANEL 700 -ART OF THE BREAK-		
0026	254160		PUSH-BUTTON PANEL 9 SELECTIONS		11.51
0027	254452		LOWER LABEL 9 SEL.		89.50
0028	254457	259549	DIESIS LOGOTYPE ADHESIVE		
0029	254444		DOOR ASSEMBLED 500		360.00
0030	254435		LOWER DOOR HEAD 500		26.63
0031	254436		UPPER DOOR HEAD 500	until serial number 91301452	
0031	254715		UPPER DOOR HEAD 500	from serial number 91301453	17.58
0032	254439	259142	PHOTOGRAPHIC PANEL 500 - COLLAGE-		
0033	254438		CONVEX PROFILE 500		44.75
0034	254248		CONTROL PANEL 5 SELECTION		10.44
0035	254440		LOWER LABEL 5 SEL.		89.50

Pos.	Item	Repl. by	Description	Notes	Price (EUR)
0036	254453		PHOTOGRAPHIC PANEL 500 - DOLCEVITA-		188.60
0036	259142	262006	PHOTO PANEL 500 -ART OF THE BREAK-		
0037	257832		SUPPORT BUTTON PAD		7.14
0038	258541		7 SELECTION KEY PAD SUPPORT		9.17
0039	258542		7 SELECTION KEYPAD LED		188.03
0040	257828		WIRING LIT KEYPAD DIESIS		32.05
0041	258574		9 SELECTION KEY PAD SUPPORT		9.38
0042	258575		9 SELECTION LED KEYPAD		194.99
0043	258539		5 SELECTION KEY PAD SUPPORT		7.89
0044	258540		5 SELECTION KEYPAD LED		143.84

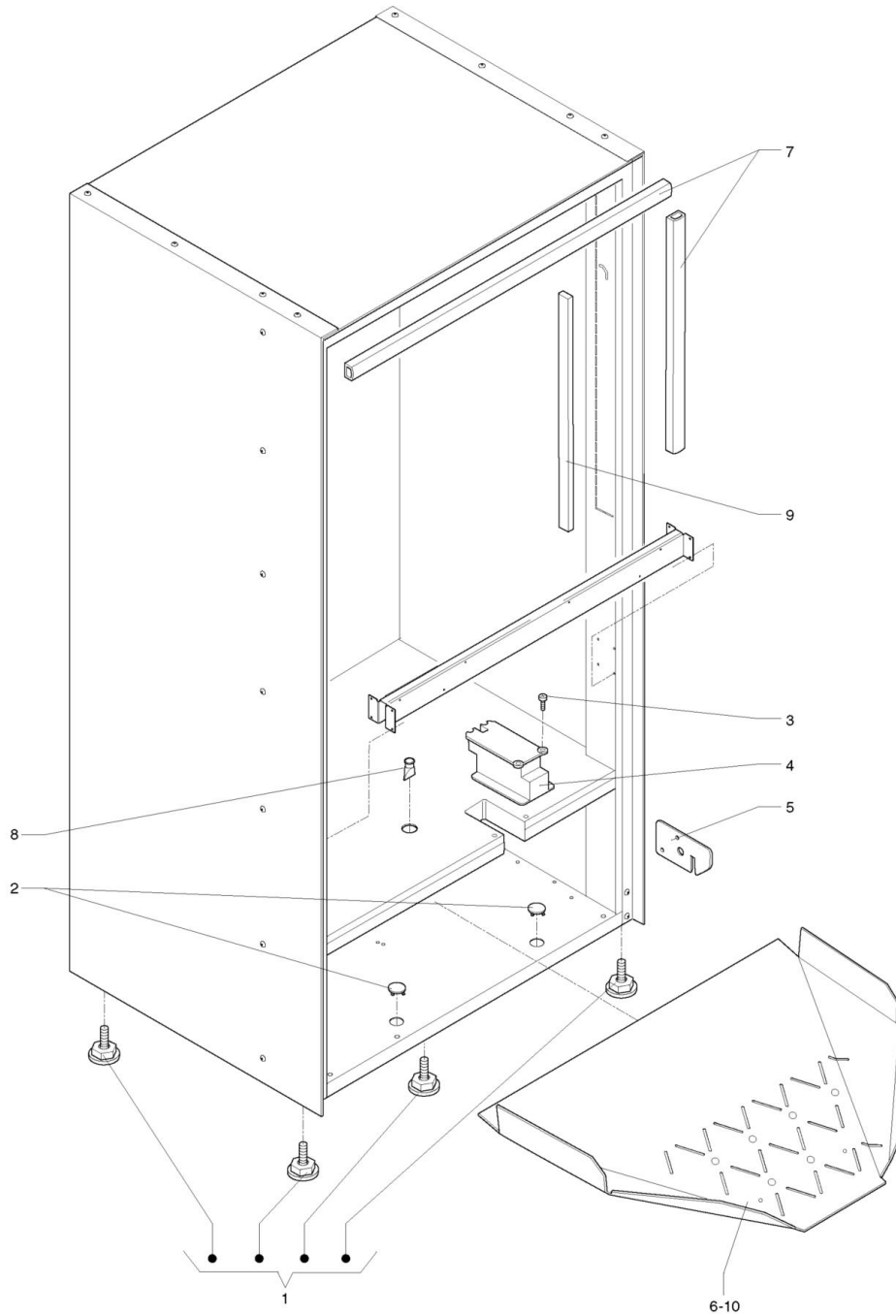


Pos.	Item	Repl. by	Description	Notes	Price (EUR)
0001	253932		COIN INSERT PIECE		314.33
0002	253929	255468	DOOR ROLLER ASSEMBLY		
0003	253933		MONEY BOX COMPLETE	UNTIL S.N. 53711975	55.41
0003	260055		COIN BOX ASSEMBLY	FROM S.N. 53711976	36.23
0004	253931		COIN RETURN ASSY.		29.30
0005	253874		HANDLE REINFORCEMENT		3.14
0006	253883		LATCH		1.04
0007	253891		LOCK PIN		8.52
0008	093342		COTTER 2X15 UNI		0.20
0009	091703		SELF-BLOCKING NUT M4		0.20
0010	093754		BENZING COLLAR QUICKBLOCK BQ DIAMMM		0.20
0011	099355		CHANGE GIVING PIN		1.61
0012	099356		SPRING FOR CHANGE		0.28
0013	099351		ACTIVATOR		2.28
0014	0V2084		LOWER COIN SLOT CHUTE		4.06
0015	099357		UPPER SLIDE		2.40
0016	253912		COIN RETURN BUTTON		1.06
0017	253925		DISPLAY		173.07
0018	253909		DISPLAY SUPPORT		26.11
0019	253911		CENTRAL LIGHT DIFFUSER		2.94
0020	254028		DISPLAY ELEMENT PANEL		16.62
0021	253873		DISPLAY SUPPORT		30.90
0022	253920		DISPLAY WIRING		14.34
0023	253882		COIN SLOT MOLDING		10.87
0024	253928		DOOR UPPER ELEMENT		7.89
0025	253924		CPU BOARD		239.91
0026	255034		PLAIN TIP SELF-TAPPING SCREW 4X12		0.20
0027	097175		CARD SPACER		0.20
0028	097807		BUTTON		2.77
0029	253905		PUSH-BUTTON PANEL 7 SELECTIONS		12.39
0030	253922		9-PUSH-BUTTON MEMBRANEPANEL		58.58
0031	099905		LOCK RIELDA-MOD.503-		31.31
0031	258883		RIELDA ANTI-TAMPER LOCK		33.43
0032	254159		SLIDER PIN		1.08
0033	253955		BOARD COIN RETURN SUPPORT		3.88
0034	093916		WHIPPING OVAL		0.34
0035	254158		COIN RECOVERY OPENING		5.01
0036	0V2160		DOOR STOP		8.20
0037	250160		DOOR STOP SPACER		1.88
0038	093470		FLAT WASHER MM 6,4		0.20
0039	0V0601		ROLLER		0.43
0040	093198		CIRCULAR JUNK RING		0.26
0041	098165		WIRE-FIXING		0.20
0042	090148		CLIP		0.20
0043	253890		COIN BOX HANDLE		7.35
0044	253921		BDV COIN MECHANISM WIRING		23.36
0045	253916		DOOR WIRING		117.33
0046	253894	0V2047	LOCK ROD SPACER		

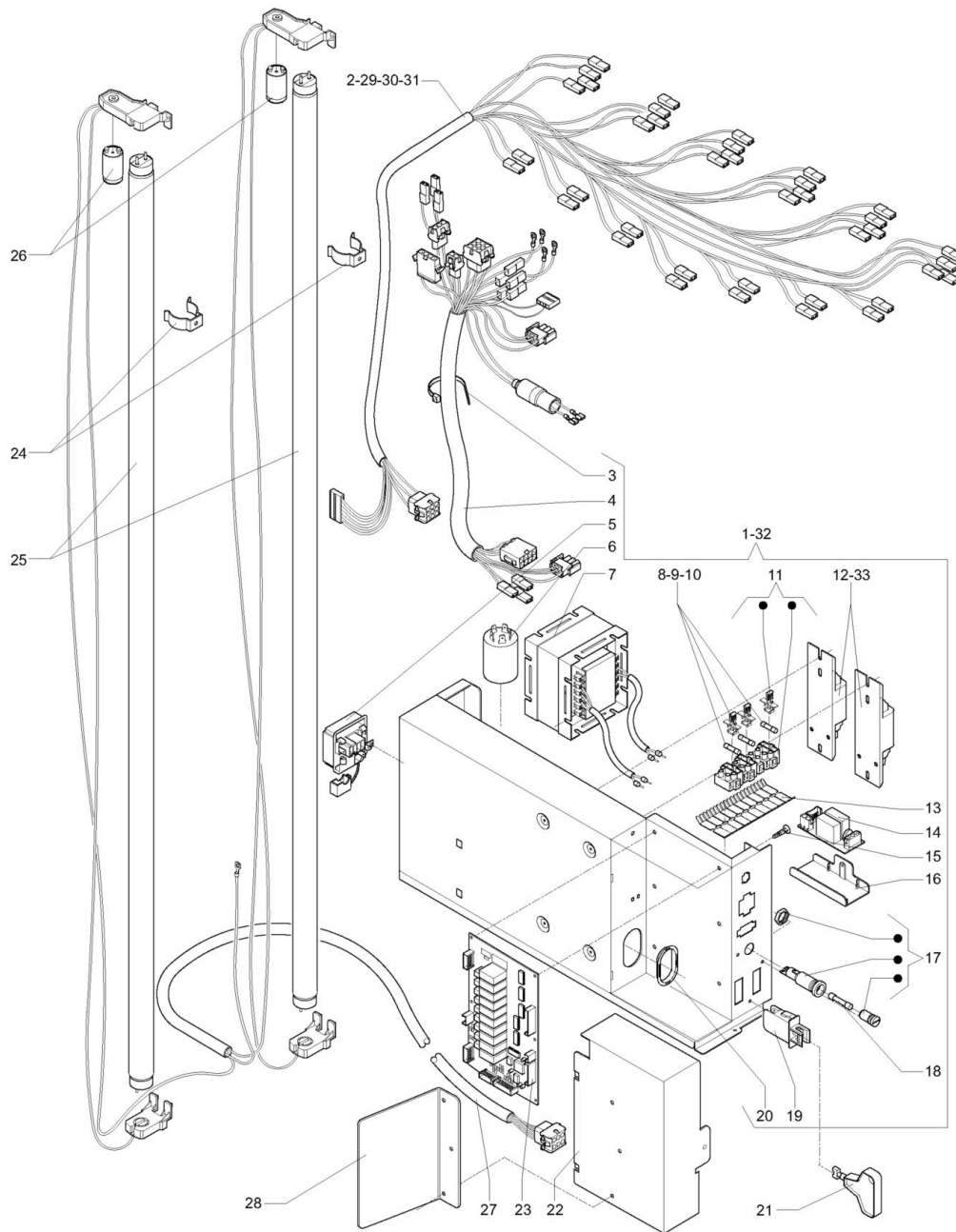
Pos.	Item	Repl. by	Description	Notes	Price (EUR)
0047	253910		CHUTE FOR CHANGE		22.91
0048	253951		CHUTE FOR CHANGE SEPARATOR		6.07
0049	253872		COIN MECHANISM TURNABLE SUPPORT		29.84
0050	094111		INSULATING DOLLY BLOCK		0.20
0051	096977		KNURL		0.98
0052	253871		DOOR LOCK ROD		37.29
0053	253893		ROD RETURN SPRING		4.47
0054	254160		PUSH-BUTTON PANEL 9 SELECTIONS		11.51
0055	254248		CONTROL PANEL 5 SELECTION		10.44
0056	256014		COIN SURROUND ASSY.		54.34
0057	257210		SURROUND COIN SLOT - VANDAL PROOF-		7.67
0058	256009		LEVER STOP PLATE		12.78
0059	256010		COIN INSERT LEVER		9.38
0060	257577		TRANSPARENT PLATE FOR DISPLAY		10.23
0061	256011		COIN INSERT TOP CHUTE		6.39
0062	256012		COIN INSERT BOTTOM CHUTE		6.18



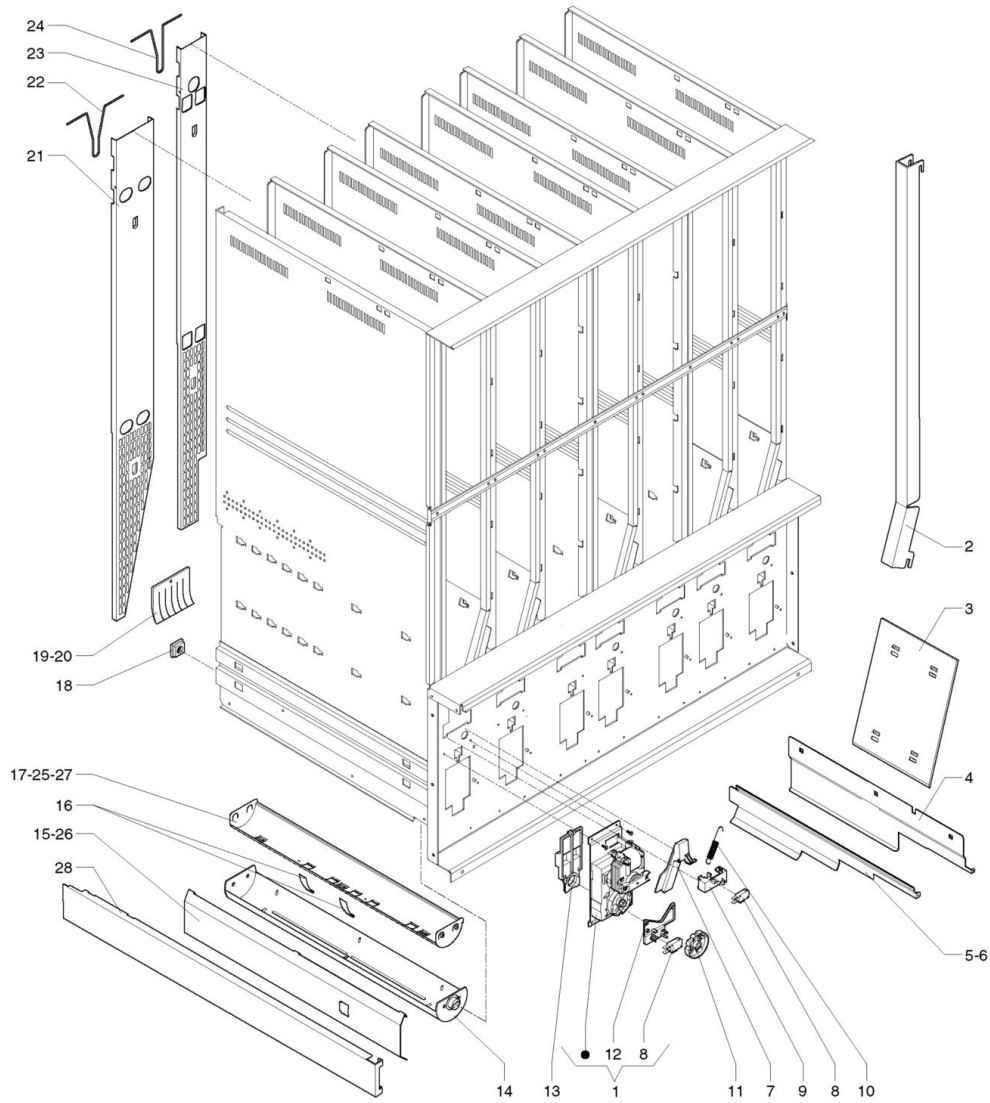
Pos.	Item	Repl. by	Description	Notes	Price (EUR)
0001	253934		UPPER SCREEN-DOOR 700		249.24
0002	253935		LOWER SCREEN-DOOR 700		254.77
0003	0V1484		MOLDING WITH PLATE		45.82
0004	253941		HINGE DOUBLE-DOOR		37.82
0005	253940		UPPER SCREEN-DOOR SEAL 700		50.15
0006	253892		SCREEN-DOOR LATCH BOLT		9.38
0007	254116		LATCH PLATE		3.88
0008	253868		SCRW M8X50		0.45
0009	093754		BENZING COLLAR QUICKBLOCK BQ DIAMMM		0.20
0010	985141		PIN ISOLATING DOOR BLADE		13.21
0011	986879		SUPPORT		7.03
0012	253870		PRODUCTS CONTRAST		5.86
0013	254442		UPPER SCREEN-DOOR 500		225.98
0014	254445		UPPER SCREEN-DOOR SEAL 500		47.01
0015	254443		LOWER SCREEN-DOOR 500		222.64



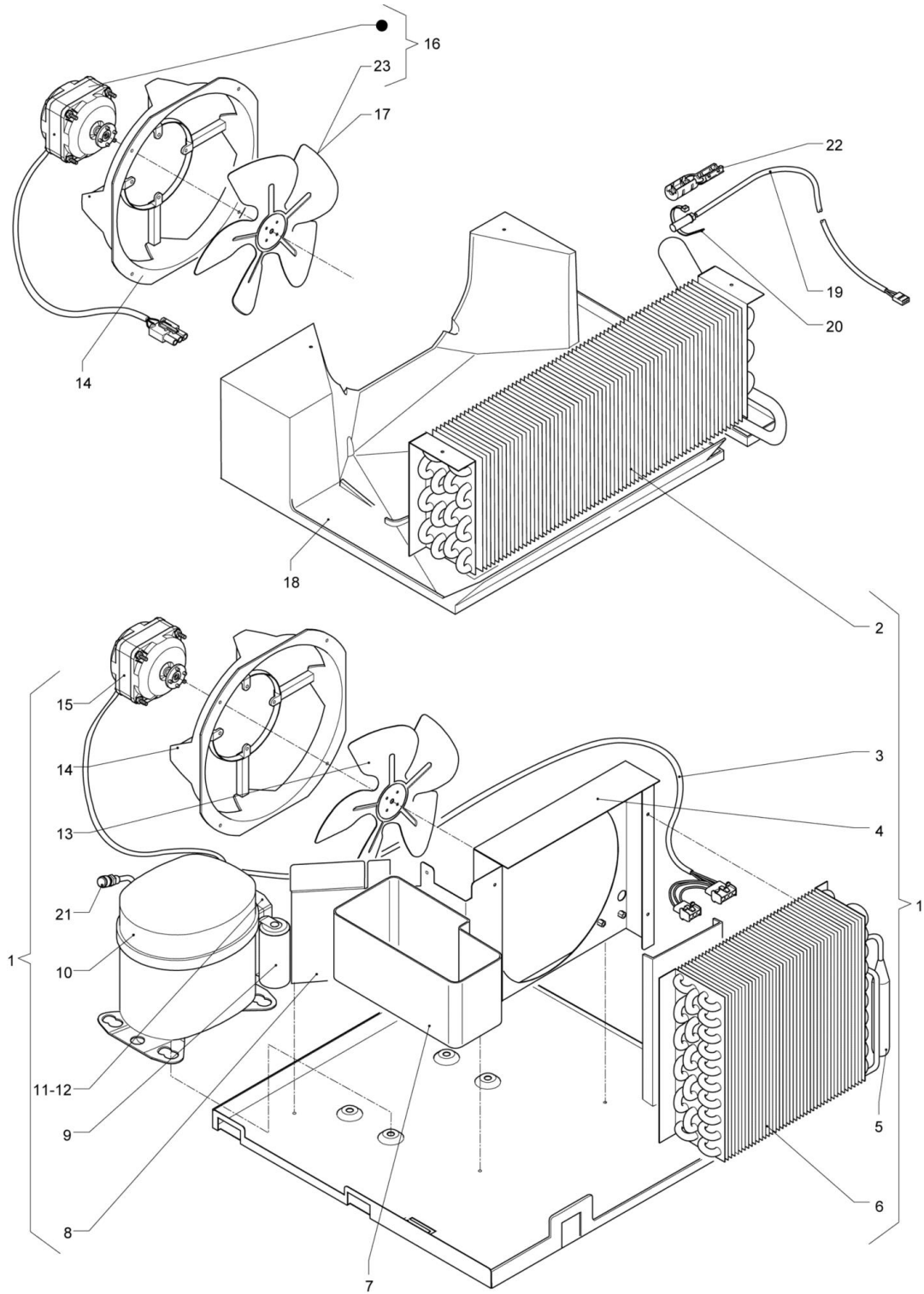
Pos.	Item	Repl. by	Description	Notes	Price (EUR)
0001	252124		4 FEET KIT		5.35
0002	0V4199		PLUG		0.36
0003	255034		PLAIN TIP SELF-TAPPING SCREW 4X12		0.20
0004	253897		WIRES SHIELD STOPPER		5.22
0005	253881		COUPLING		1.58
0006	253898		CHUTE 700		137.45
0007	254280		CABINET GASKET		4.18
0008	0V0346		DRAIN TUBE		1.40
0009	251515		ADHESIVE SEAL (A METER)		1.30
0010	254437		SLIDE 500		140.64



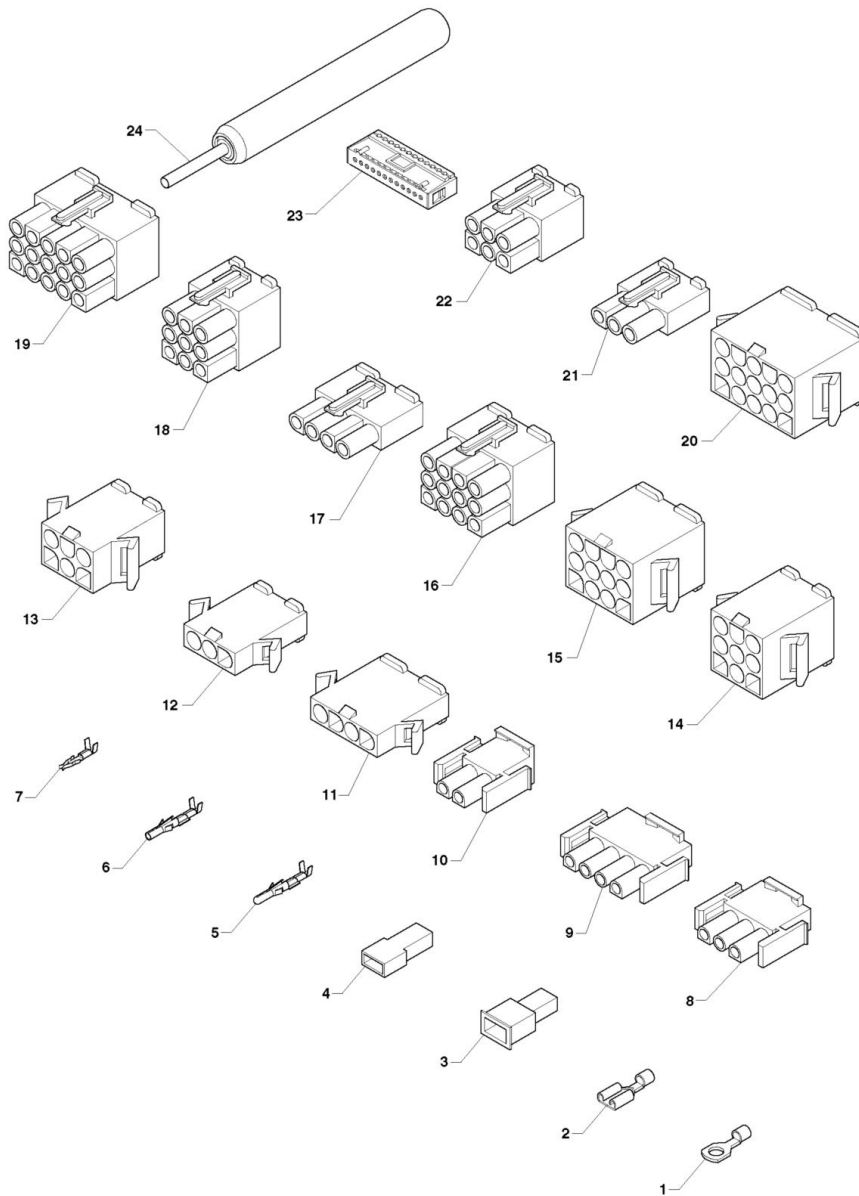
Pos.	Item	Repl. by	Description	Notes	Price (EUR)
0001	253919		ELECTRICAL PANEL DIESIS		554.07
0002	253915		SLIDE WIRING 700/7		110.81
0003	090148		CLIP		0.20
0004	253938		ELECTRICAL PANEL WIRING		115.43
0005	098796		TERMINAL BOARD		4.37
0006	0V3512		ELECTRICAL NET FILTER		15.44
0007	253937		TRANSFORMER G100 230V 24-24		150.24
0008	097097		FUSE 2 AMP.5X20 DELAYED ACT		0.30
0009	097259		FUSE 5X20 4A DELAYED ACTION		0.34
0010	253939		FUSE 5X20 5AMP DELAYED ACTION		1.19
0011	097241		3-POLE TERMINAL BOARD W/ CARRIER		3.24
0012	987367		36-40WATT BALLAST		18.58
0013	097242		SUB-TERMINAL BOARD		1.27
0014	0V0015		OUT\R CARD		45.82
0015	097175		CARD SPACER		0.20
0016	094849		COVERING-HOLDER		2.45
0017	251863		FUSE HOLDER		4.80
0018	095636		FUSE 15 A		0.91
0019	097796		SWITCH		9.70
0020	093916		WHIPPING OVAL		0.34
0021	0V1654		SWITCH KEY		0.79
0022	253869		EXTERNAL CARD COVERING		17.58
0023	253923		CONTROL BOARD		179.01
0024	098337		LAMP-HOLDER HOOKS		0.75
0025	985532		NEON LIGHT 36 WATT		5.77
0026	091802		STARTER TYPE S10		2.28
0027	253917		LAMP WIRING		56.49
0028	253906		CONNECTOR COVERING		9.80
0029	254283		SLIDE WIRING 700/8-9		93.44
0030	254441		SLIDE WIRING 500/5		60.83
0031	254454		SLIDE WIRING 500/6-7		69.53
0032	254589		ELECTRICAL PANEL 240V		543.41
0033	252898		240V 50HZ BALLAST -UK-		20.78



Pos.	Item	Repl. by	Description	Notes	Price (EUR)
0001	0V1493		GEARMOTOR		86.16
0002	251661		BOTTLE STATIONARY GUIDE		10.02
0003	0V1508		ANTIFRICTION ELEMENT		5.66
0004	253878		BOTTLE PLATE		11.93
0005	253877		0.25L CAN PLATE		10.87
0006	254106		0.33/0.35 L CAN PLATE		10.23
0006	254782		0.33L SLIM CAN PLATE		26.63
0007	0V1505		EMPTY/FULL PLATE		0.83
0008	985834		MICROSWITCH		3.68
0009	985460		BLADE-SUPPORT		0.84
0010	0V1506		RETURN SPRING		0.60
0011	0V1494		MICROSWITCH CONTROL CAM		0.62
0012	0V1655		LIMIT SWITCH SUPPORT		6.07
0013	0V1500		BUSH WITH DEVIATOR		1.88
0014	253889		SLIDE ROTOR		23.44
0015	0V1507		SHIM DIAM. 65-66-67		5.22
0016	0V1497		ROTOR ANTI-THEFT		1.17
0017	253901		ROTOR INSERT DIAM. 65-67		7.55
0018	985822		POST. BUSH CARRIAGE ROTOR		0.39
0019	253895		COMB FOR DEFLECTOR L= 86		2.77
0020	253896		COMB FOR DEFLECTOR L= 132		3.19
0021	253875		DOUBLE BACKCOLUMN		10.23
0022	0V1490		DOUBLE BACKCOLUMN SPRING		2.23
0023	253876		SINGLE BACKCOLUMN		9.38
0024	0V1492		SINGLE BACKCOLUMN SPRING		2.23
0025	254114		ROTOR INSERT DIAM. 62/64		21.85
0026	0V1745		SHIM DIAM. 62-63-64		5.66
0027	254113		ROTOR INSERT DIAM. 59/61		22.38
0028	254404		0.25L CAN SPACER		32.49



Pos.	Item	Repl. by	Description	Notes	Price (EUR)
0001	255367		GREEN REFRIGERATING GROUP		556.92
0002	251720		EVAPORATOR		140.64
0003	251719		COMPRESSOR WIRING		29.33
0004	251716		FAN SHIELD		36.23
0005	250542		DEHYDRATOR FILTER		71.40
0006	251721		CAPACITOR		147.05
0007	251704		CONDENSATE COLLECTION TRAY		7.35
0008	251717		BASIN COVER		19.82
0009	985075		CAPACITOR		20.78
0010	986933		COMPRESSOR GP 14 TB R134		163.92
0011	985074		STARTING RELAY COMPRESSOR		8.09
0012	0V1779		THERMOPROTECTOR COMPRESSOR		6.55
0013	0V3517		200x34 FAN		3.42
0014	251718		COOLING FAN CONVEYOR		18.54
0015	254807		ELECTRIC FAN 16WATT 50/60HZ		60.60
0016	255608		MOTOR FAN		64.99
0017	0V3517		200x34 FAN		3.42
0018	253902		CELL TRAY		42.37
0019	253918		TEMPERATURE PROBE		13.42
0020	090148		CLIP		0.20
0021	985603		RECHARGE VALVE		28.86
0022	253903		PROBE COVER		2.67
0023	255609		METAL FAN		5.01



Pos.	Item	Repl. by	Description	Notes	Price (EUR)
0001	090957		EYELET TERMINAL		0.20
0002	090959		FASTON W/O TONGUE		
0003	091192		FASTON COVER		0.20
0004	090247		FEMALE FASTON COVER		0.20
0005	095955		TERMINAL MALE		0.20
0006	096136		TERMINAL FEMALE		0.20
0007	094405		TERMINAL FEMALE 2,5		0.20
0008	094954		FEMALE HOLDER CONNECTOR 3-WAYS		2.63
0009	098062		4-WAY CONNECTOR MATE-N- LOK AMP		1.10
0010	094955		FEMALE HOLDER CONNECTOR 2-WAYS		0.42
0011	0V0809		4-PIN CONNECTOR/P MOLEX 3191		0.95
0012	0V0808		3-PIN CONNECTOR/P MOLEX 3191		0.74
0013	0V0810		6-PIN CONNECTOR/P MOLEX 3191		1.30
0014	0V0811		9-PIN CONNECTOR/P MOLEX 3191		1.13
0015	0V0812		12-PIN CONNECTOR/P MOLEX 3191		1.91
0016	0V0818		12-PIN CONNECTOR/P MOLEX 3191		
0017	0V0815		4-PIN CONNECTOR/P MOLEX 3191		1.05
0018	0V0817		9-PIN CONNECTOR/P MOLEX 3191		1.17
0019	0V0819		15-PIN CONNECTOR/P MOLEX 3191		2.25
0020	0V0813		15-PIN CONNECTOR/P MOLEX 3191		1.91
0021	0V0814		3-PIN CONNECTOR/P MOLEX 3191		0.64
0022	0V0816		6-PIN CONNECTOR/P MOLEX 3191		
0023	094961		FEMALE HOLDER CONNECTOR P.I. 12-W		1.15
0024	0V0820		MOLEX CONTACT PULLER		56.74